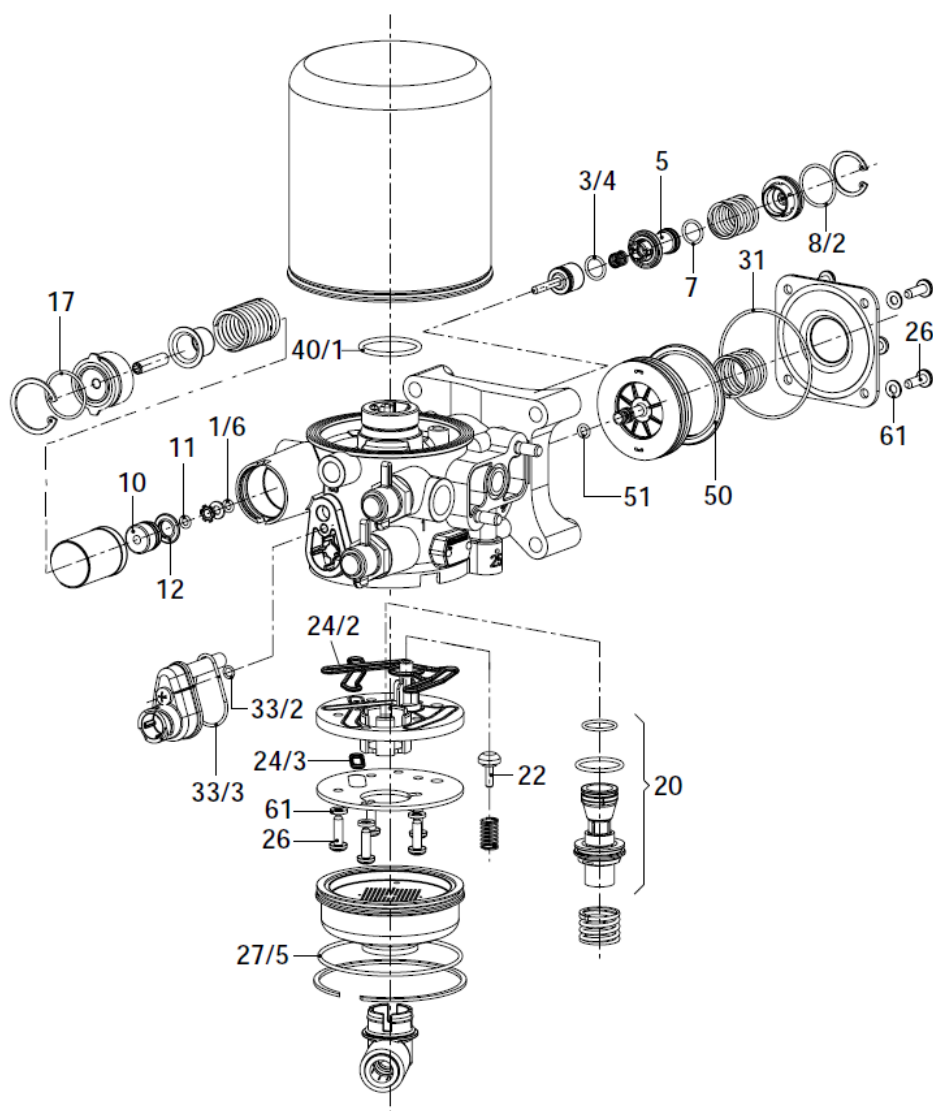


# Oprávkárenská sada II376770051



61	Federring		9
53	Führungsring		1
51	O-Ring	6 x 2 (D <sub>i</sub> x d)	1
50	Knorr-K-Ring		1
40/1	O-Ring	33 x 5 (D <sub>i</sub> x d)	1
33/3	O-Ring	38 x 2 (D <sub>i</sub> x d)	1
33/2	O-Ring	6, 6 x 1,5 (D <sub>i</sub> x d)	1
31	O-Ring	73 x 2 (D <sub>i</sub> x d)	1
27/5	O-Ring	94 x 2,5 (D <sub>i</sub> x d)	1
26	Zylinderschrauben		9
24/3	Profildichtring		1
24/2	Profildichtring		1
22	Ventilkegel		1
20	Ablassventil		1
17	O-Ring	30 x 2 (D <sub>i</sub> x d)	1
12	Knorr-K-Ring		1
11	O-Ring	5 x 2 (D <sub>i</sub> x d)	1
10	Kolben		1
8/2	O-Ring	26 x 2 (D <sub>i</sub> x d)	1
7	O-Ring	13 x 2 (D <sub>i</sub> x d)	1
5	Kolben		1
3/4	O-Ring	13 x 2 (D <sub>i</sub> x d)	1
1/6	O-Ring	5 x 2 (D <sub>i</sub> x d)	1
Pos. Rep.	Benennung Designation		Stück Qté.