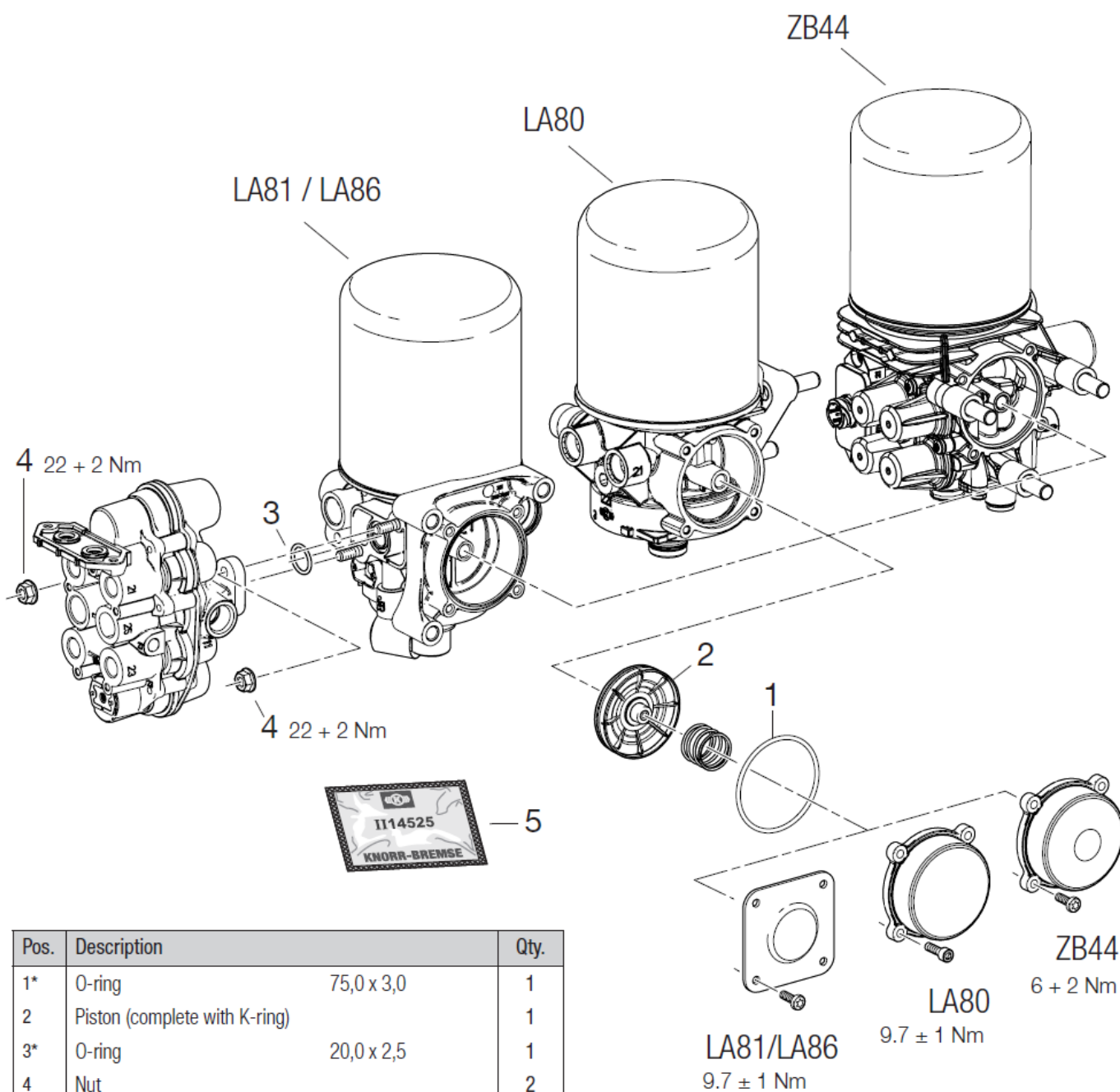


Opravná sada K003442



Pos.	Description		Qty.
1*	O-ring	75,0 x 3,0	1
2	Piston (complete with K-ring)		1
3*	O-ring	20,0 x 2,5	1
4	Nut		2
5	Grease	5 g	1

*) Requires grease (see item 5)