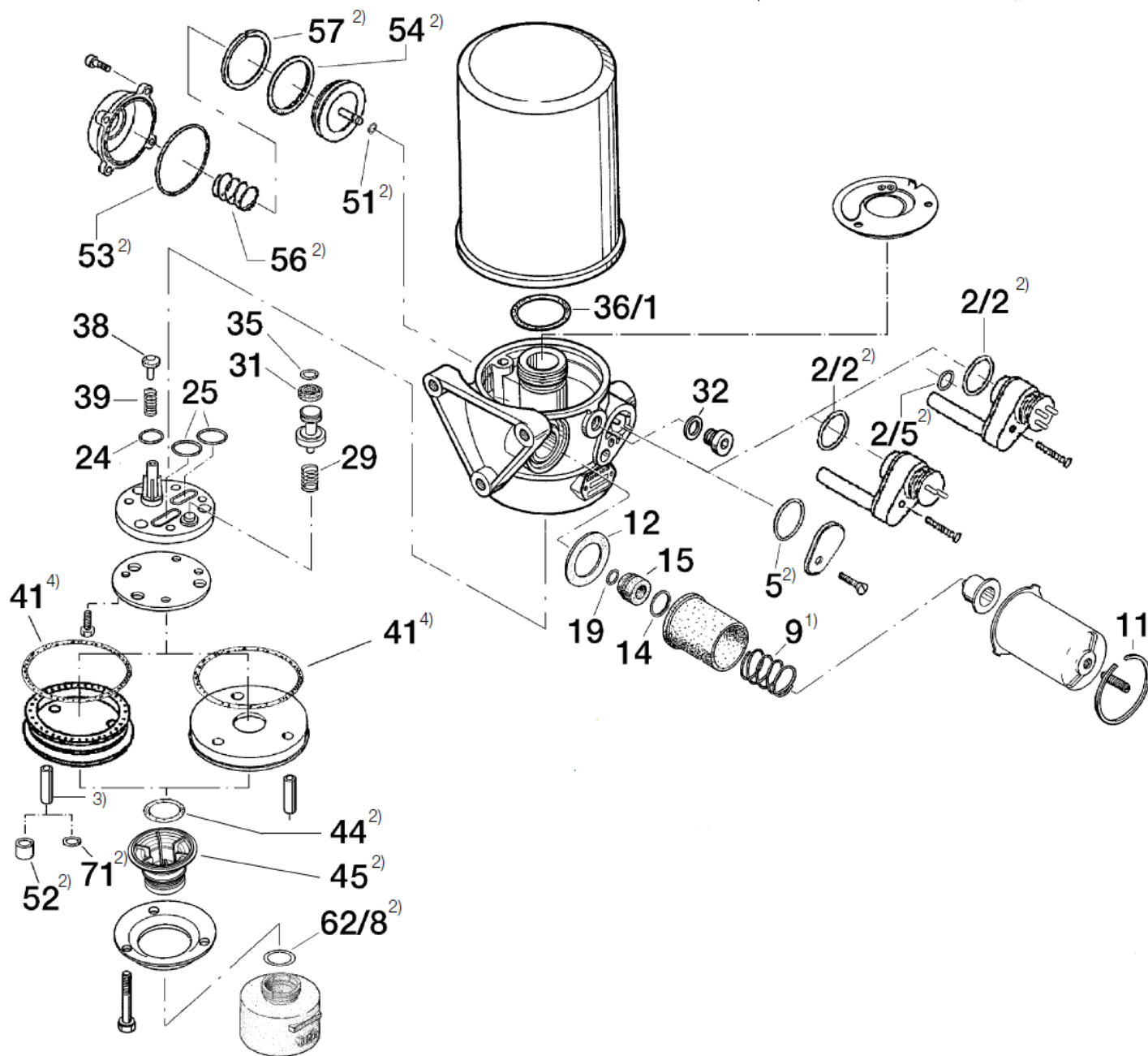


Opravná sada K004868008



101	Montagefett Grease	5g	1
100	Montagefett Grease	5g	1
71 ²⁾	O-Ring	8 x 1,6 (D _i x d)	3
62/8 ²⁾	O-Ring	23 x 2,5 (D _i x d)	1
57	Führungsring Guide Ring		1
56	Druckfeder Compression Spring	30 x 39 (D _a x L ₀)	1
54	Knorr-K-Ring		1
53	O-Ring	75 x 3 (D _i x d)	1
52 ²⁾	Hülse Sleeve		3
51	O-Ring	6 x 2 (D _i x d)	1
45	Schlauchstutzen		1
44 ²⁾	O-Ring	30 x 1,5 (D _i x d)	1
41 ⁴⁾	O-Ring	105 x 2 (D _i x d)	1
41 ⁴⁾	O-Ring	100 x 1,5 (D _i x d)	1
39	Druckfeder Compression Spring	11,8 x 24 (D _a x L ₀)	1
38	Ventilkegel Valve Cone		1
36/1	O-Ring	33 x 5 (D _i x d)	1
35	O-Ring	12 x 3 (D _i x d)	1
32	Dichtring Sealing washer		1
31	Ventildichtscheibe Valve Packing		1
29	Druckfeder Compression Spring	18,8 x 30,2 (D _a x L ₀)	1
25	O-Ring	22 x 2 (D _i x d)	2
24	O-Ring	20 x 2 (D _i x d)	1
19	O-Ring	5 x 2 (D _i x d)	1
15	Kolben Piston		1
14	Knorr-K-Ring		1
12	Membrane Diaphragm		1
11	Sprengtring Circlip		1
9 ¹⁾	Druckfeder Compression Spring (see table)	(siehe Tabelle)	1
5 ²⁾	O-Ring	37,8 x 1,8 (D _i x d)	1
2/5 ²⁾	O-Ring	5,3 x 1,8 (D _i x d)	1
2/2 ²⁾	O-Ring	37 x 2 (D _i x d)	1
Pos. Rep.	Benennung Désignation		Stück Qté.